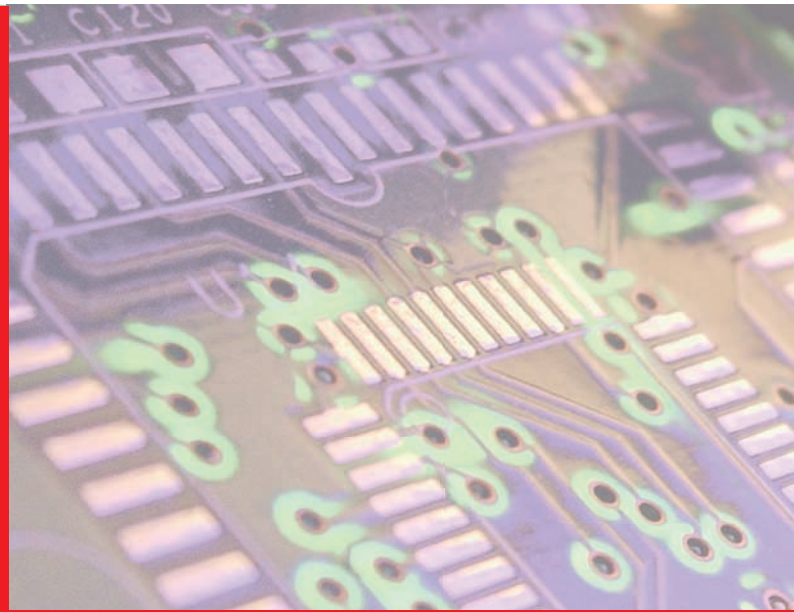


MW-GENERATOR 1200 W

diener^{electronic}
Plasma-Surface-Technology



MW-GENERATOR

- Max. Output Power: 1200W
- Max. Output Current: 300mA
- Max. Output Voltage: 5000VDC (negative)
- Loads: Magnetrons 2.4GHz, 3.9...4.3kV, 800..1000W
- Max. power consumption: 1300W
- Mains input: 210...250VAC / 40...60Hz
- Input current: max. 9 Arms
- Efficiency: >95% (at nominal power)
- Power Adjustment modes:
 - Current mode: 50...300mA
 - Power mode: 100...1200W (via DSUB or PC connection only)
 - Burst mode:
 - Pulse-Width: 100µs...100ms
 - Pulse-Delay: 100µs..100ms
- Accuracy: better than ±5% of final value, temperature compensated
- Load mismatch protection against open output and short circuit
 - turn off time at short cut/open load: < 1 sec
 - turn off time at adjustment error: < 5 sec
- Synchronised parallel operation mode
- Operating temperature range: +15...+40°C
- Cooling: max. 70m³/h air flow rate (temperature controlled)
- Interfaces:
 - 2x RJ45 ports for synchronisation in parallel operation mode and for PC connection
 - DSUB25 (female) for remote operation by industrial system control units (24/10V voltage levels)
 - Switched 230VAC output for connection of magnetron heating transformer
 - High voltage connector for magnetron cathode

Applications:

- (pulsed) powering of magnetrons in general
- low pressure plasma generation



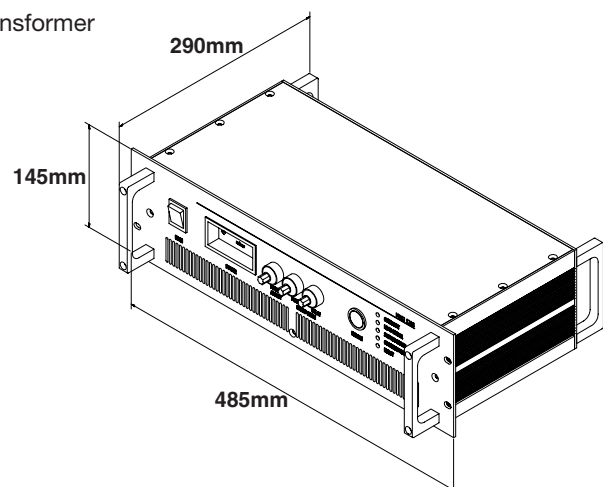
front view



front view (19-inch rack)



rear view



Please visit our homepage at:

www.plasma.de

Diener electronic GmbH + Co. KG
Nagolder Str. 61
72224 Ebhausen / Germany

Telephone: +49 (0) 7458 / 999 31 - 0
Telefax: +49 (0) 7458 / 999 31 - 50
E-Mail: info@plasma.de